

Technical Bulletin

October 2019

Summary: Resolves a duct application issue when replacement sensor model SK-PHOTO-R-W is used with SK-DUCT, DNR or DNRW duct smoke detector models built prior to April 2014.

Issue: Duct smoke detector models SK-DUCT, DNR and DNRW built prior to April 2014 (date codes 4034 and earlier) cannot accept SK-PHOTO-R-W replacement sensors due to the mechanical design of the sensor cover used on the duct smoke detector housing.

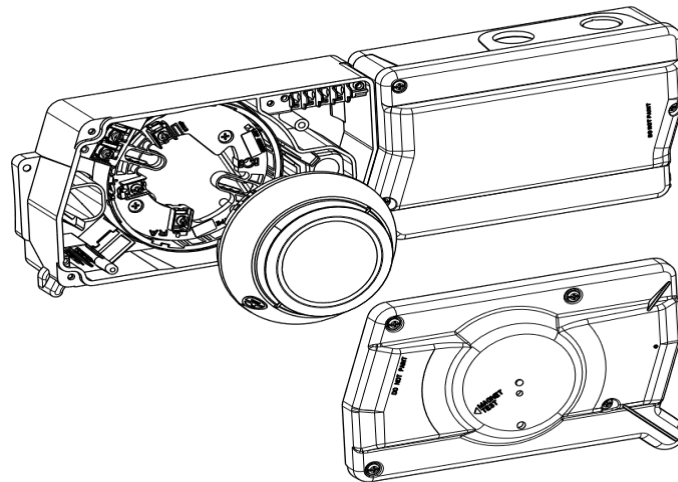
Resolution: To remedy this situation, the following replacement covers must be used to allow the SK-PHOTO-R-W sensor to properly fit in the duct smoke detector housing:

Duct Smoke Detector Model No.	Replacement Cover Part No.	Replacement Sensor Part No.
SK-DUCT	DUCTCOV	SK-PHOTO-R-W
DNR	DUCTCOV	SK-PHOTO-R-W
DNRW	DUCTCOVW	SK-PHOTO-R-W

The DUCTCOV and DUCTCOVW replacement covers are available for purchase and can be installed with SK-DUCT, DNR and DNRW duct smoke detector housings manufactured prior to April 2014.

Installation of the DUCTCOV(W) replacement cover:

1. Remove the original cover that is located over the sensor head
2. Install the SK-PHOTO-R-W sensor head following the installation instructions
3. Install the DUCTCOV(W) using the four screws provided
4. Follow the installation instructions for proper testing of the SK-PHOTO-R-W sensor head



Thank you for your business and continued support of Honeywell Silent Knight products.