



SILENT KNIGHT

by Honeywell

SD505-6SB 6" Sounder Base Installation Instructions

This sheet is intended to be used to install the SD505-6SB to a Silent Knight Addressable control panel. Refer to the control panel installation manual for programming instructions (P/N 151139 or 151209).

The SD505-6SB adds an audible output function to a Silent Knight addressable detector.

Specifications

Parameter		Rating
Operating Voltage:	SLC Loop	32 VDC
	Aux. Input	24 VDC
Aux. Input Power Current:	Standby:	1 mA
	Alarm:	34.3 mA
SLC Current Draw for Battery Calculation:	Standby:	.082 mA
	Alarm:	.082 mA
Operating Temperature:	32° - 120° F (0° - 49° C)	
Humidity:	10-85% RH	
Max. SLC Loop Resistance:	50 Ω	

Wiring

This section contains instructions to wire the SD505-6SB to the FACP, and auxiliary power. For system supervision of terminals, do not use looped wire under the terminals. Break the wire run to provide supervision of connections. See Figure 3.

SLC Wiring

The SD505-6SB can be connected to the FACP for either Class B (Style 4) or Class A (Style 6) supervision. Connect the SD505-6SB to the FACP as shown in Figure 1 or Figure 2.

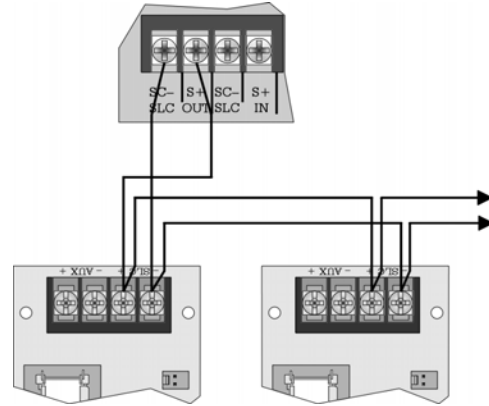


Figure 1: Class B (Style 4) Wiring

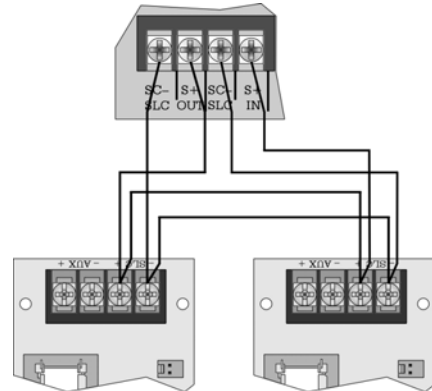


Figure 2: Class A (Style 6) Wiring

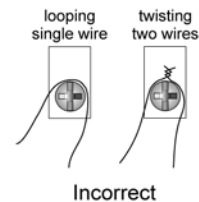
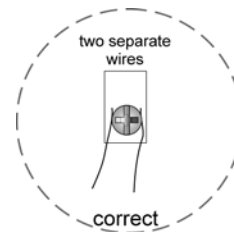


Figure 3: Correct wiring methods

Auxiliary Power Wiring

The SD505-6SB can use aux power from a UL listed, power-limited 24 VDC source. Figure 4 shows how to connect the SD505-6SB to an auxiliary power supply.

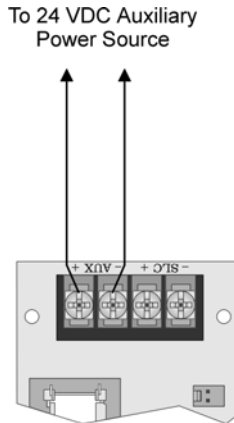


Figure 4: Auxiliary Power Connections

Note: Auxiliary power is supplied by a regulated UL listed power supply for Fire Protective Signalling Systems.

Auxiliary Power Using Flexput™ Circuits

The following describes how to use the Flexput circuits as the auxiliary power source:

1. Connect the aux power wires to the Flexput terminals using “X” terminals as positive, and “O” terminals as negative power. See Figure 5.

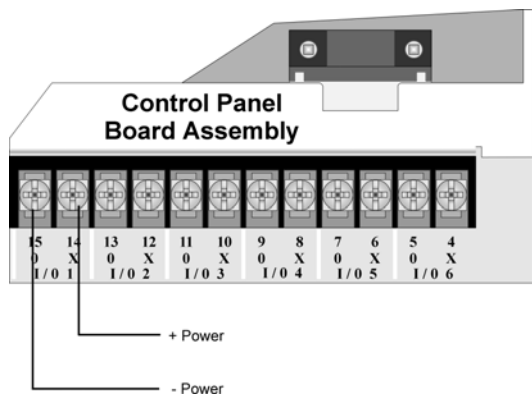


Figure 5: Flexput Auxiliary Power Output

2. Configure the auxiliary power output for constant output through programming (refer to Section 7.4 of the *IntelliKnight 5820XL* or *IFP-1000 Analog/Addressable Fire System*

(P/Ns 151209 & 151139).

Mounting

This section contains instruction on how to mount the SD505-6SB. Refer to Figure 6.

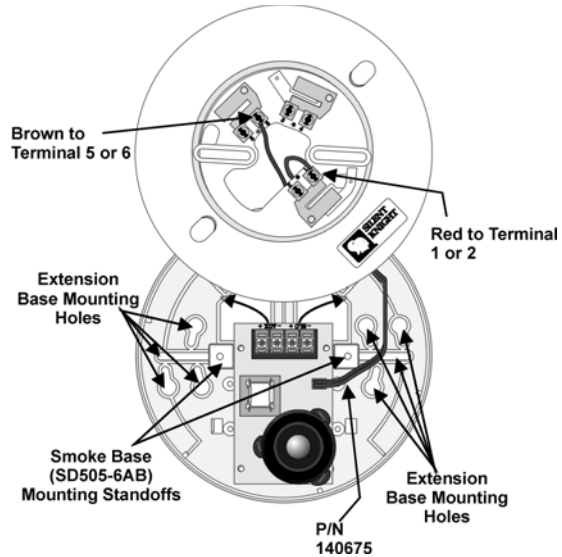


Figure 6: Mounting the SD505-6SB

1. Mount the extension base using the #8 1-1/2 screws through any of the extension base mounting holes. (See Figure 6.)
2. Connect Aux power and the SLC loop as shown in Figure 1, Figure 2 and Figure 4.
3. Connect wiring harness (P/N 140675) to the smoke base and SD505-6SB as shown in Figure 6.
4. Attach the smoke base to extension base (P/N 120505) using the #8 1/2” screws, through the smoke base mounting standoffs. (See Figure 6.)



**SILENT
KNIGHT**

by Honeywell

7550 Meridian Circle, Ste 100
Maple Grove, MN 55369-4927
763-493-6455 or 800-328-0103
Fax: 763-493-6475
www.silentknight.com