



SILENT KNIGHT

SD505-6RB (6" Relay Base) Installation Instructions

This sheet is intended to be used to install the SD505-6RB to a Silent Knight Addressable control panel. Refer to the control panel installation manual for programming instructions (P/N 151139 or 151209).

The SD505-6RB adds a relay output function to a Silent Knight addressable detector. The Form C relay is rated at 8.0 amps for 240 VAC, 120 VAC and 30 VDC applications.

Specifications

Parameter	Rating
Relay Contact Rating:	8.0 A @ 30 VDC
	8.0 A @ 240/120 VAC
SLC Operating Voltage:	32 VDC
SLC Current for Battery Calculation:	.082 mA (Alarm and Standby)
Operating Temperature:	32° - 120° F (0° - 49° C)
Humidity:	10-85% RH
Max. SLC Loop Resistance:	50 Ω

Wiring

This section contains information on how to wire the SD505-6RB to the SLC Loop of the control panel, how to wire the SD505-6RB to the 6" detector base, and wiring guide lines for each.

Figure 1 illustrates how to run the wiring for the SLC loop and relay through the extension base, and how wiring harness 140675 connects to the 6" detector base.

Note: Low and high voltage wiring must be run through separate openings on the extension base. See Figure 1. If you are connecting both power limited and non-power limited sources to the relay base, you must use one of the following types of wire, FPLP, FPLR, or FPL within the box in accordance to NEC 760.54.

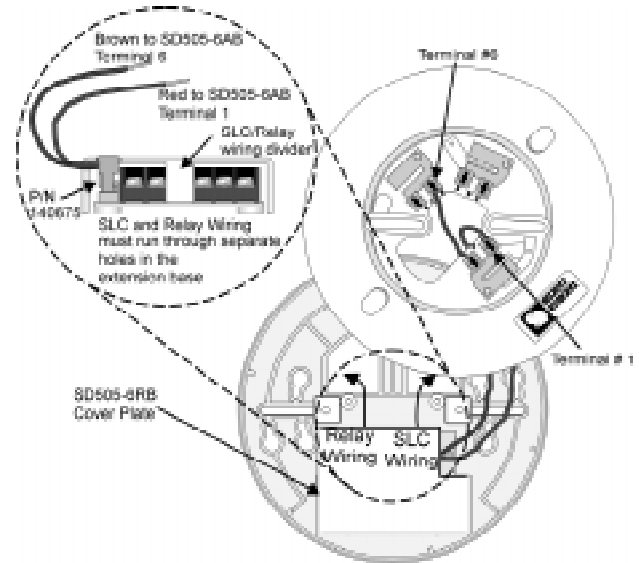


Figure 1: Wiring Parameters

SLC Wiring

The SD505-6RB can be configured for either Class A (Style 6) or Class B (Style 4) supervision.

Class A (Style 6)

Figure 2 illustrates how to wire the SD505-6RB to the SLC loop connectors for Class A (Style 6) supervision.

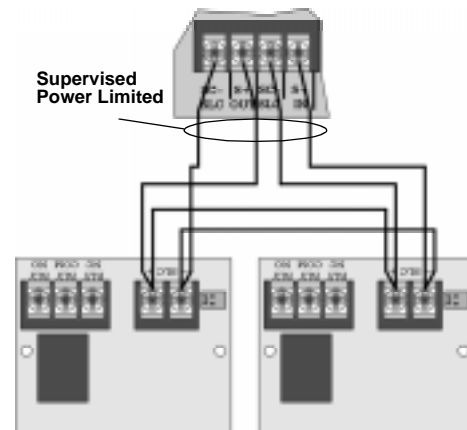


Figure 2: Class A (Style 6) SLC Wiring

Class B (Style 4)

Figure 3 illustrates how to wire the SD505-6RB to the SLC loop connectors for Class B (Style 4) supervision.

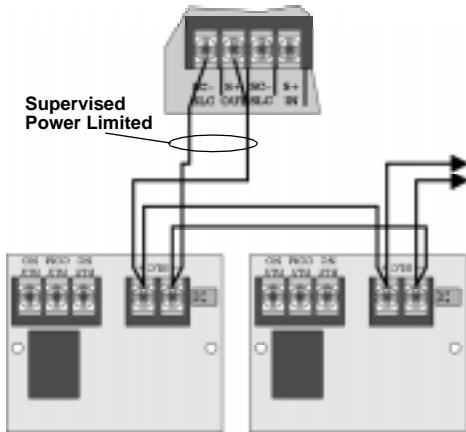


Figure 3: Class B (Style 4) SLC Wiring

Do Not over tighten screws.

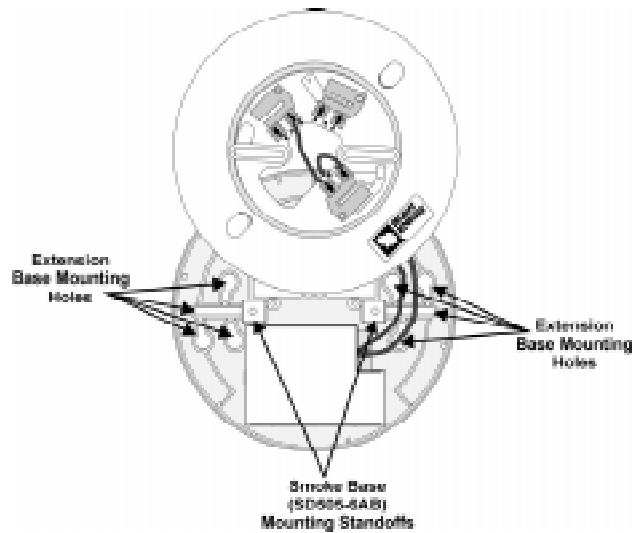


Figure 4: Mounting the SD505-6RB

Mounting the SD505-6RB

The SD505-6RB mounts on a standard single or double gang electrical switch box.

Follow these steps to mount the SD505-6RB:

1. Mount the extension base using the #8 1-1/2 screws through the extension base mounting holes. (See Figure 4.)
2. Wire the SLC loop as shown in Figure 2 or Figure 3.
3. Snap the SD505-6RB cover plate over the SD505-6RB circuit board. See Figure 1.
4. Connect wiring harness (P/N 140675) to the smoke base as shown in Figure 1.
5. Plug wiring harness (P/N 140675) into harness connector. Refer to Figure 1.
6. Attach the smoke base (P/N SD505-6AB) to extension base (P/N 120505) using the #8 1/2" screws. (See Figure 4.)



**SILENT
KNIGHT**

7550 Meridian Circle
Maple Grove, MN 55369-4927
612-493-6455
800-328-0103
Fax: 612-493-6475
© 1999 Silent Knight
P/N 151192, 6/99

<http://www.silentknight.com>