



**SILENT  
KNIGHT**

by Honeywell

## SD500-ANM Installation Instructions

The following instructions are a quick reference guide, refer to the control panel installation manual for detailed system information.

The SD500-ANM (Addressable Notification Module) is an output accessory module for the IntelliKnight Fire Control Panel, which provides one reverse polarity supervised notification appliance circuit. The notification circuit can be configured in either Class A (Style Z) or Class B (Style Y).

### SD500-ANM Specification

Table 1 list the electrical, physical and environmental specifications of the SD500-ANM.

**Table 1: SD500-ANM Specs**

Specification Parameter		Rating
Operating Temperature:		32° - 120° F (0° - 49° C)
Dimensions:	Length:	4-7/8"
	Width:	4-7/8"
	Depth:	7/8"
Operating Voltage:		24 VDC
Notification Appliance Current:		2 A max.
Notification Outputs		24 VDC Full Wave Rectified
SLC Current:		.55 mA
Max. SLC Loop Resistance:		50 Ω
Max Impedance Output		1.5 Ω
For indoor use only		

**Note:** When calculating total alarm current, add the current ratings of all the notification devices on the notification circuit.

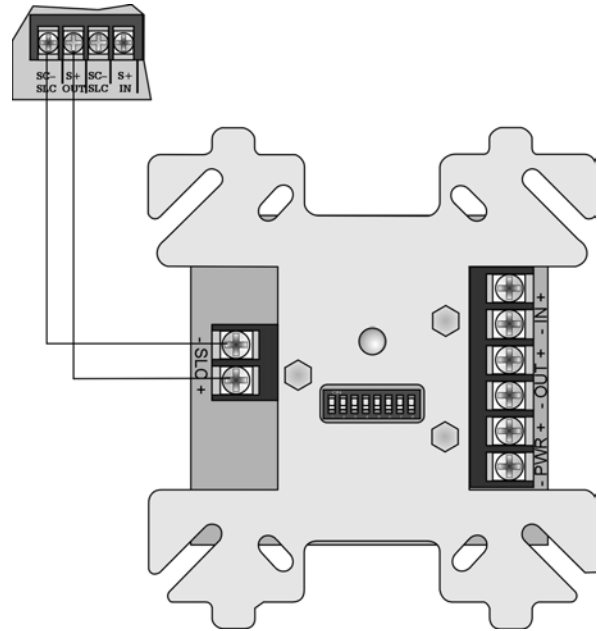
## Wiring the SD500-ANM

**Note:** Installation and wiring of this device must be done in accordance with NFPA 72 and local ordinances.

**Important!:** All wiring is supervised and power limited.

### Connecting SD500-ANM to the SLC

The SD500-ANM connection for the SLC loop internal and external are the same. Wire as shown in Figure 1.



**Figure 1: SD500-ANM Connections to the 5815XL**

## Class B Notification Configuration

Wire Class B notification appliance circuits to the SD500-ANM as shown in Figure 2.

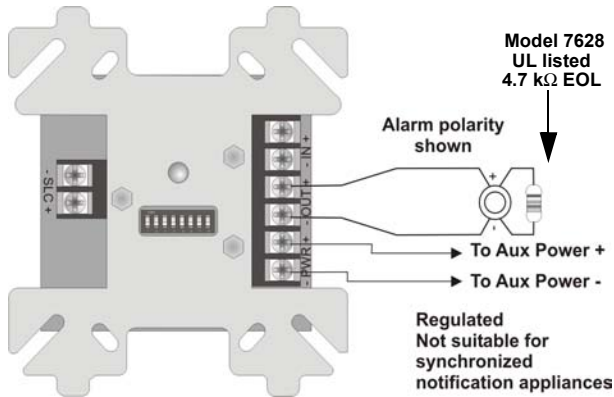


Figure 2: SD500-ANM Class B Notification Wiring

## Class A Notification Configuration

Wire Class A notification appliance circuits to the SD500-ANM as shown in Figure 3.

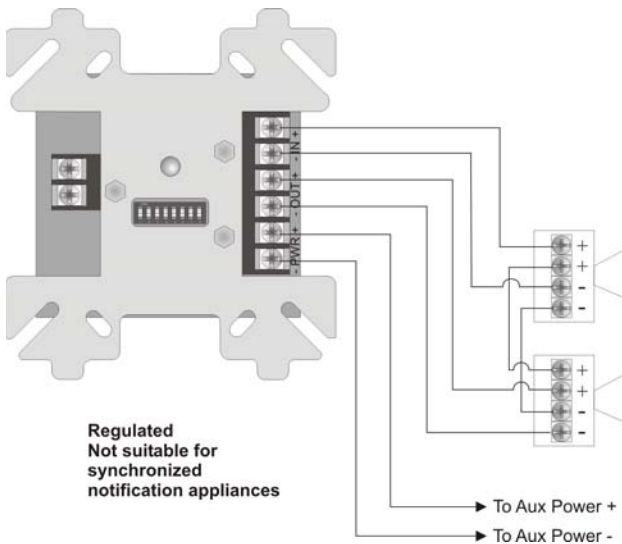


Figure 3: SD500-ANM Class A Notification Wiring

## Auxiliary Power Using Flexput™ Circuits

The SD500-ANM can use aux power from any 24 VDC source. The following describes how to use the Flexput circuits as the auxiliary power source:

1. Connect the aux power wires to the Flexput terminals using “X” terminals as positive and “O” terminals as negative power. See Figure 4.

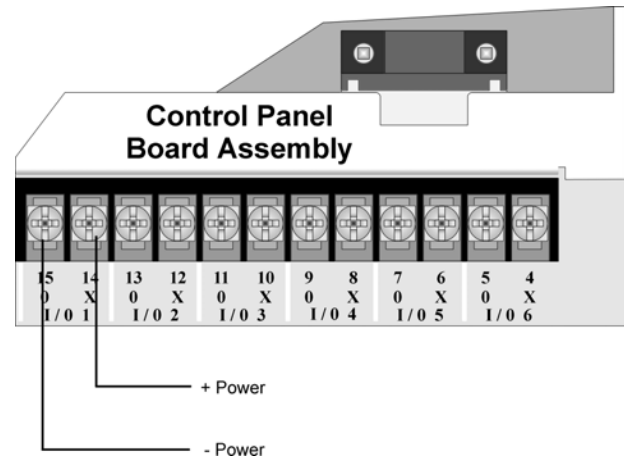


Figure 4: Flexput Auxiliary Power Output

2. Configure the auxiliary power output for constant output through programming. Refer to the control panel installation manual for programming information.



7550 Meridian Circle  
 Maple Grove, MN 55369-4927  
 763-493-6455 or 800-328-0103  
 Fax: 763-493-6475  
 www.silentknight.com