



**SILENT  
KNIGHT**

by Honeywell

**B224BI**

## Intelligent Isolator Base

The B224BI isolates any part of a loop that has a short from the rest of the loop. The base also automatically restores the entire loop when the cause of the short circuit is corrected.

For more information about the IntelliKnight system, or to locate your nearest source, please call 1-800-328-0103.

### Description

The B224BI is a 6" mounting base with a built-in isolator for SK series detectors intended for use with the IntelliKnight series fire alarm control panels (FACPs). The B224BI prevents an entire communication loop from being disabled when a short circuit occurs.

### Features

- Isolate up to 25 SK series devices between each B224BI
- Support for Class A and Class B wiring
- Fully supervised
- Plug-in mounting provides ease of installation
- Tamper-proof feature prevents removal of the detector without the use of a tool
- Range of mounting options to meet any application
- B501 allows for aesthetically pleasing installation with Recessed Mounting Kit (PN RMK400)
- SEMS screws and wire gauge 22–14 AWG
- UL Listed

#### U.S. Junction Boxes

Single Gang	3.5" Oct	4" Oct †	4" SQ
No	No	Yes	Yes

#### Metric Junction Boxes

50 MM	60 mm	70 mm	75 mm
No	No	Yes	Yes

\*Box depth is contingent on base and wire size. Refer to the National Electric Code or applicable local codes for appropriate recommendations.

† with 3.0 mud ring



**B224BI**

### Compatibility

The B224BI is compatible with the following SK-series detectors:

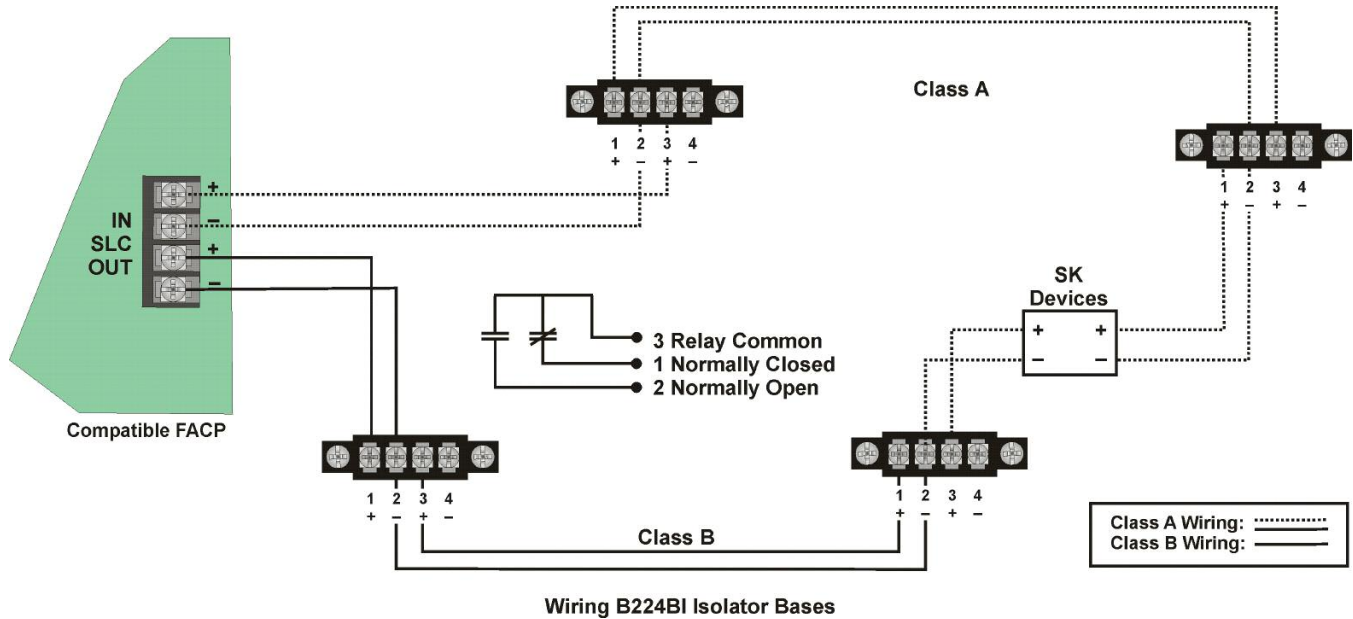
- SK-Photo Photoelectric Smoke Detector and SK--Photo-T Photoelectric Smoke Detector with Thermal
- SK-Acclimate Multicriteria Photoelectric Smoke Detector
- SK-Ion Ionization Smoke Detector
- SK-Heat Fixed Temperature Thermal Detector, SK -Heat-ROR Rate-of-Rise Detector with Thermal, and SK-Heat-HT Fixed High Temperature Thermal Detector

The B224BI is compatible with the following IntelliKnight FACP's:

5700  
5808  
5820XL  
5820XL-EVS

# Model B224BI

## Intelligent Isolator Base



### Specifications

#### Physical

Height: 1.2" (3.1 cm)  
 Diameter: 6.1" (15.5 cm)

#### Electrical

Wire Gauge: 22-14  
 Operating Voltage: 15 – 32 VDC  
 Standby Current: 450 µA max @ 24 VDC

#### Environmental

Operating Temperature: 14°F – 140°F (-10°C – 60°C)  
 Normal Ambient Temperature: 32°F – 120°F (0°C – 49°C)  
 Humidity: 10% – 93% non-condensing

### Ordering Information

B224BI 6" Isolator Base

### Accessories

- RMK400 Recessed Mounting Kit. Provides low profile for use with B501.
- XR2B Detector Removal Tool. A removal and replacement tool for SK series plug-in detectors. Includes the T55-127-000.
- M02-04-01 Detector Test Magnet.
- M02-09-00 Test Magnet with Telescoping Handle.
- XP-4 Extension Pole for XR2B. Extends from 5 – 15 ft.
- T55-127-000 Detector Removal Head
- BCK-200B Black Detector Kit. For SK series detectors.



**SILENT KNIGHT**

by Honeywell

This document is not intended to be used for installation purposes. We try to keep our product information up-to-date and accurate. We cannot cover all specific applications or anticipate all requirements. All specifications are subject to change without notice. For more information, contact Silent Knight 12 Clintonville Road, Northford, CT 06472-1610  
 Phone: (800) 328-0103, Fax: (203)484-7118. For Technical Support, Please Call 800-446-6444. [www.silentknight.com](http://www.silentknight.com)

**MADE IN AMERICA**

PN 53625 Rev C  
 © 2013 Honeywell International Inc.