



**SILENT  
KNIGHT**

by Honeywell

**B224RB**

## Intelligent Relay Base

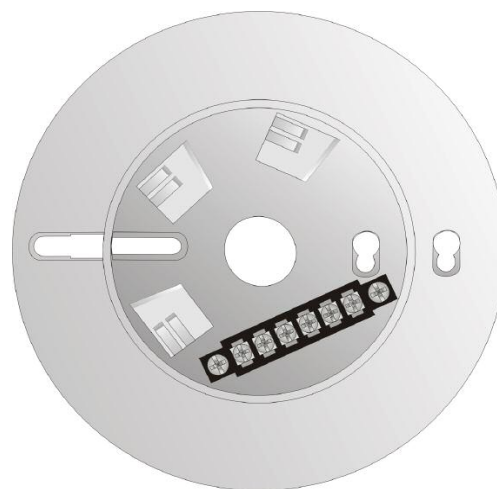
The B224RB is a 6" plug-in relay detector base with a built-in form C relay for control of auxiliary functions such as elevator recall and door closure. For more information about the IntelliKnight system, or to locate your nearest source, please call 1-800-328-0103.

### Description

The B224RB lets you control a wide variety of normally open and normally closed applications. The relay can operate in two different modes (short and long delay). Because the relay is addressable, the relay device can be located at any point in the signaling line circuit. SK series detectors intended for use with Silent Knight IntelliKnight series fire alarm control panel (FACP) plug into the B224RB.

### Features

- One form C contact relay
- Support for Class A and Class B wiring
- Fully supervised
- Plug-in mounting provides ease of installation
- Tamper-proof feature prevents removal of the detector without the use of a tool
- Range of mounting options to meet any application
- B501 allows for aesthetically pleasing installation with Recessed Mounting Kit (RMK400)
- UL Listed



**B224RB**

### Compatibility

The B224RB is compatible with the following SK-series detectors:

- SK-Photo Photoelectric Smoke Detector and SK--Photo-T Photoelectric Smoke Detector with Thermal
- SK-Acclimate Multicriteria Photoelectric Smoke Detector
- SK-Ion Ionization Smoke Detector
- SK-Heat Fixed Temperature Thermal Detector, SK -Heat-ROR Rate-of-Rise Detector with Thermal, and SK-Heat-HT Fixed High Temperature Thermal Detector

The B224RB is compatible with the following IntelliKnight FACP's:

5700  
5808  
5820XL  
5820XL-EVS

U.S. Junction Boxes			
Single Gang	3.5" Oct	4" Oct †	4" SQ
No	Yes	Yes	Yes

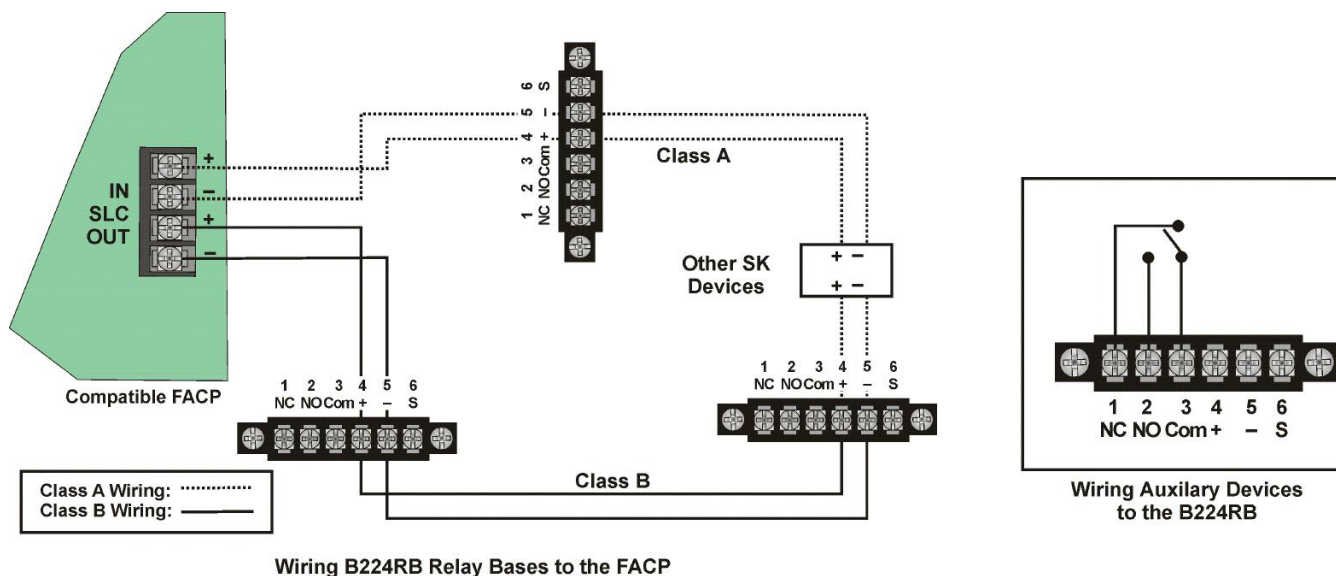
Metric Junction Boxes			
50 MM	60 mm	70 mm	75 mm
No	No	Yes	Yes

\*Box depth is contingent on base and wire size. Refer to the National Electric Code or applicable local codes for appropriate recommendations.

† with 3.0 mud ring

# Model B224RB

## Intelligent Relay Base



### Specifications

#### Physical

Height: 1.2" (3.1 cm)  
Diameter: 6.1" (15.5 cm)

#### Electrical

Wire Gauge: 18–14  
Operating Voltage: 15 – 32 VDC  
Standby Current: 500  $\mu$ A max @ 24 VDC

#### Environmental

Operating Temperature: 32°F – 120°F (0°C – 49°C)  
Humidity: 10% – 93% non-condensing

#### Relay Characteristics

Coil: 2 coil latching  
Contact Type: 1 form C  
Resistive: 2A @ 30 VDC  
Inductive: 300 mA @ 100 VDC (with 0.35 PF or greater)  
300 mA @ 120 VAC (with 0.35 PF or greater)  
1A @ 30 VDC (with 0.6 PF or greater)

### Ordering Information

B224RB 6" Relay Base

### Accessories

RMK400	Recessed Mounting Kit. Provides low profile for use with B501.
XR2B	Detector Removal Tool. A removal and replacement tool for SK plug-in detectors. Includes the T55-127-000.
M02-04-01	Detector Test Magnet.
M02-09-00	Test Magnet with Telescoping Handle.
XP-4	Extension Pole for XR2B. Extends from 5 – 15 ft.
T55-127-000	Detector Removal Head
BCK-200B	Black Detector Kit. For SK series detectors.



**SILENT  
KNIGHT**

by Honeywell

This document is not intended to be used for installation purposes. We try to keep our product information up-to-date and accurate. We cannot cover all specific applications or anticipate all requirements. All specifications are subject to change without notice. For more information, contact Silent Knight 12 Clintonville Road, Northford, CT 06472-1610  
Phone: (800) 328-0103, Fax: (203) 484-7118. For Technical Support, Please Call (800)-446-6444. [www.silentknight.com](http://www.silentknight.com)

**MADE IN AMERICA**

PN 350994 Rev B  
© 2014 Honeywell International Inc.