



**SILENT
KNIGHT**

by Honeywell

SD505-6RB 6" Relay Base

Add a relay output to an addressable detector with Silent Knight's SD505-6RB.

The SD505-6RB adds a relay output function to an addressable detector. Providing one Form C contact rated at 8.0 amps for 240 VAC, 120 VAC and 30 VDC. The SD505-6RB allows you to control a wide variety of normally open and normally closed applications, including elevator recall, door closing, fan operation, and auxiliary notification. And, because the relay module is addressable, these applications can be located at any point in the signaling line circuit.

The SD505-6RB is compact and mounts in an extension base that is compatible with the SD505-APS, SD505-AIS, or SD505-AHS. Combine this with the features you've come to expect from Silent Knight fire protection devices—easy installation and stable operation—and it adds up to a flexible solution for all your fire protection needs.

Description

The SD505-6RB provides one Form C contact rated at 8.0 amps for 240 VAC, 120 VAC and 30 VDC. The contact can be used for virtually any normally open or normally closed application.

Operation

Each relay module is programmed with a unique SLC loop address. When an event that controls the relay module occurs, the relay is triggered by the IntelliKnight panel.

Features

- Adds an 8.0 A relay output to an addressable detector
- Fully supervised
- Can be used with either style 4 or style 6 supervision.
- Mounts to a standard single or double gang electrical box.
- UL Listed
- Adds relay output without using another SLC addresses

Specifications

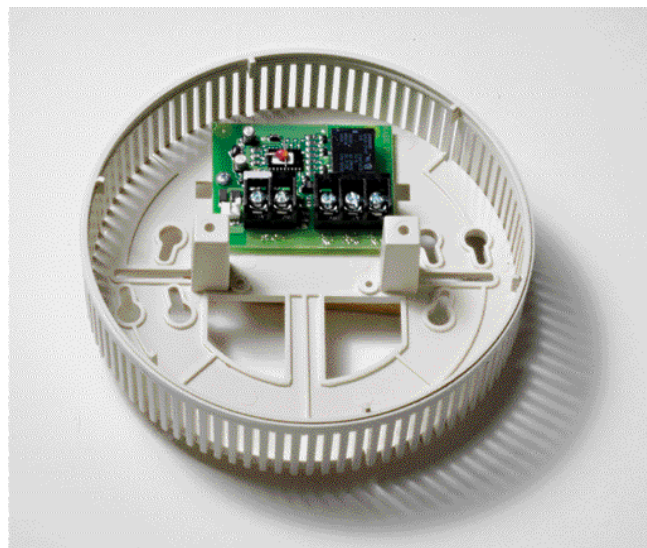
Relay Rating:
8.0A @ 30 VDC
8.0A @ 240/120 VAC
SLC Current Draw: 0.082 mA
Max. SLC Loop Resistance: 50
Dimensions:
6.9" W x 4.25" H x 1" D
14.46 cm W x 10.79 cm H x 2.54 cm D
Operating Temp:
32° to 120° F (0° to 49° C)
Maximum Wiring Distance: 1000 ft

Compatible Devices

SD505-APS
SD505-AIS
SD505-AHS

Approvals

UL Listed
CSFM Listed



Model SD505-6RB

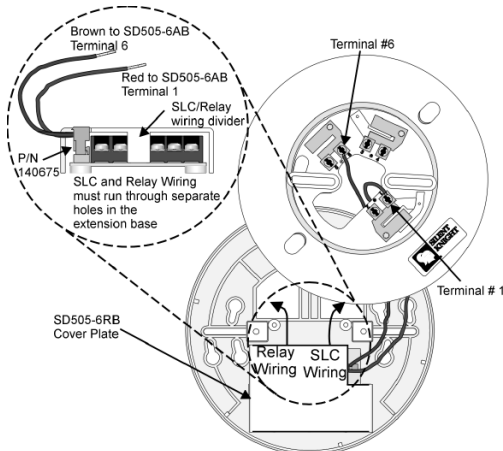
SD505-6RB 6" Relay Base

Engineering Specifications

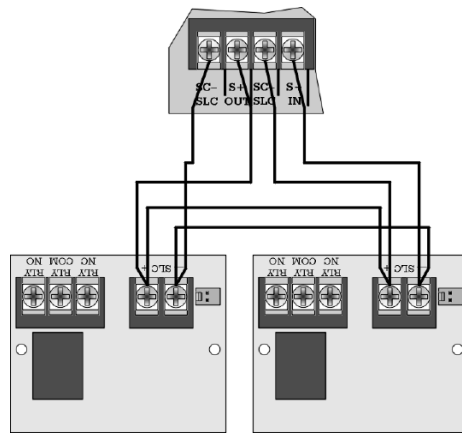
Relay base shall be Silent Knight module SD505-6RB. The base shall be compatible with Silent Knight smoke detector modules SD505-APS, SD505-AIS, and SD505-AHS. Each module shall be programmed with a separate SLC device address. The relay base shall provide one form C contact rated 8 amps for 240 VAC or 120 VAC and 30 VDC.



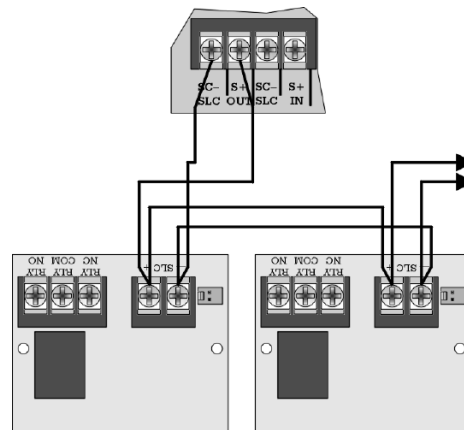
Model SD505-6RB With Detector and 6" Base (Detector sold separately)



Assembly



Class A (Style 6) Wiring



Class B (Style 4) Wiring



This document is not intended to be used for installation purposes. We try to keep our product information up-to-date and accurate. We cannot cover all specific applications or anticipate all requirements. All specifications are subject to change without notice. For more information, contact Silent Knight 12 Clintonville Road, Northford, CT 06472-1610 Phone: (800) 328-0103, Fax: (203) 484-7118. www.silentknight.com

MADE IN AMERICA

FORM# 350312 Rev D

© 2010 Honeywell International Inc.