



5895XL

Intelligent Power Module

5895XL is an intelligent distributed power module that adds 6.0 amps of power, six Flexput™ I/O circuits, and two Form C relay circuits to a compatible Honeywell Silent Knight Series addressable system.

The 5895XL modules connect via the RS-485 system bus. Each 5895XL has its own optically isolated RS-485 bus to which other modules, such as 5860 remote annunciators and 5824 printer interface modules, can be connected. You can also connect 6815 or 5815XL SLC expansion modules, adding flexibility and wiring distance. Each 5895XL supports its own backup batteries and monitors the AC power.

Operation

The green LED on the 5895XL board indicates communication with the Honeywell Silent Knight Series FACP.

The Flexput circuits can be notification appliance circuits, continuous power, resettable power, door holder power or initiation circuits that can support both 2- and 4-wire smoke detectors. All Flexput circuits and relay outputs are individually mappable from the 5820XL/EVS or 6820/EVS FACP.

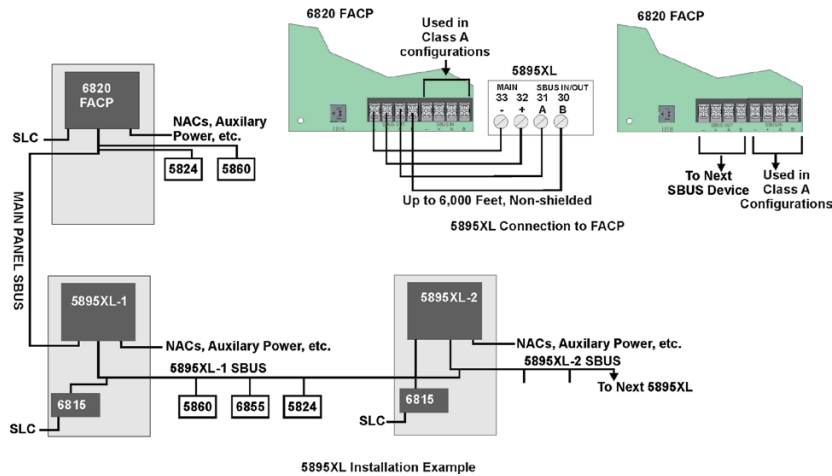


5895XL

FEATURES & BENEFITS

- 6.0 amps output power
- Flexput I/O circuits, 3A each, programmable as notification circuits, auxiliary power, circuits, or initiation circuits
- Supports Class A configuration for SBUS & Flexput circuits
- Ground loop isolation
- 2 Form C programmable relays rated at 2.5A at 24VDC
- Built-in synchronization for appliances from System Sensor®, AMSECO, Gentex®, and Wheelock®
- Up to 6,000 foot wiring distance from the 5895XL (same distance as main FACP)
- Battery charging capacity is 35AH
- Room to mount two 6815 or 5815XL SLC expander modules
- Large cabinet size can house two 18AH backup batteries or RBB accessory cabinet can house battery sizes larger than 18AH
- Transient protection
- SBUS repeater conditions the RS-485 signal

5895XL Technical Specifications



For a complete listing of all compliance approvals and certifications, please visit www.silentknight.com.

Microsoft, Windows, and the Windows Logo are registered trademarks or trademarks of Microsoft Corporation.

Silent Knight® and Honeywell® are registered trademarks of Honeywell International, Inc

This document is not intended to be used for installation purposes. We try to keep our product information up-to-date and accurate. We cannot cover all specific applications or anticipate all requirements. All specifications are subject to change without notice.

For Technical Support, Please call 800-446-6444.

PHYSICAL

Mounting Dimensions: 14.5"W x 24.75"H x 3.9"D (36.8 cm W x 62.9 cm H x 9.8 cm D)

Overall Dimensions: 16.1"W x 26.4"H x 4.1"D (40.6 cm W x 67 cm H x 11.8 cm D)

Color: Red

ENVIRONMENTAL

Operating Temperature: 32°F-120°F (0°C -49°C)

Humidity: 10%-93% non-condensing

ELECTRICAL

Primary AC: 120 VRMS, 50 or 60Hz, 2.5A, or 240 VRMS 50 or 60Hz, 1.4A

Total Accessory Load: 6A @ 24VDC

Current:

Standby: 40mA

Alarm: 160mA

SBUS Standby & Alarm: 10mA

Flexput Circuits

Notification: 3amps per circuit (6A system total)

Initiation: 100mA power limited @ 24VDC

ORDERING INFORMATION

5895XL: Intelligent Power Module

ACCESSORIES

RBB: Remote Battery Box Accessory Cabinet. 16" W x 10" H x 6" D (406 mm W x 254 mm H x 152 mm D)

6815: SLC Expander Module for SK devices

5815XL: SLC Expander Module for SD devices

SK-SCK: Seismic Compliance Kit

For more information

Learn more about Honeywell Silent Knight and other products available by visiting www.silentknight.com

Honeywell Security & Fire

12 Clintonville Road
Northford, CT 06472
800-328-0103

Doc 350212 | Rev J | 01/18
© 2017 Honeywell International Inc.

