



**SILENT
KNIGHT**

by Honeywell

5220 Direct Connect Module Installation Instructions

The 5220 is a direct connect module used to connect a fire alarm control panel (FACP) to a city box or polarity reversal communicator. The following instructions are generic installation instructions, refer to the FACP installation manual for compatibility and usage.

Note: Installation and wiring of this device must be done in accordance with NFPA 72 and local ordinances.

Specifications

Operating Voltage: 19.4 to 28 VDC

City Box Current : 1 A for 1 Second,
max coil resistance 30 ohms

Polarity Reversal: 20 mA max.,
max loop resistance 3 k ohms

Ambient Temperature: 32°F to 120°F (0°C to 49°C), or
humidity within the range of 10%-93% at 30°C (86°F)
noncondensing.

Dimensions: 6-1/2"W x 1-5/16"H x 2-1/8"D
(16.51 cm W x 3.33 cm H x 5.40 cm D)

Terminal Wire Rating: 12 - 24 AWG

Mounting

The 5220 comes equipped with its own cabinet assembly. The 5220 is intended for indoor use only in a dry location.

1. Remove the cover from the 5220.
2. Mount the 5220 with four screws in the holes shown in Figure 1.

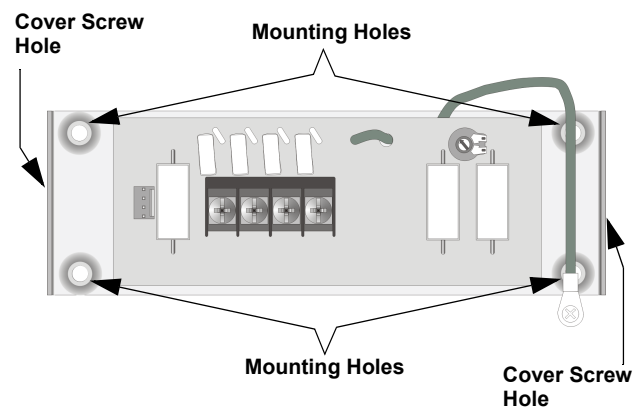


Figure 1: Mounting the 5220

3. Wiring the 5220 as shown in Figure 2.
4. Replace the 5220 cover and secure it with the two self-tapping screws supplied.

Wiring

1. Connect the 5220 as shown in Figure 2.

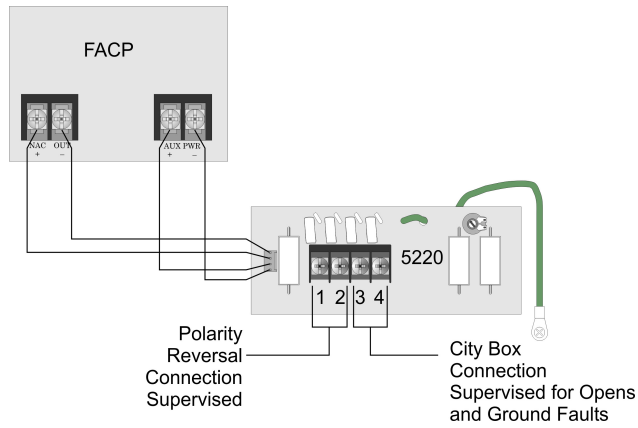


Figure 2: 5220 Wiring Connections



by Honeywell

7550 Meridian Circle
Maple Grove, MN 55369-4927
763-493-6455 or 800-328-0103
Fax: 763-493-6475
www.silentknight.com