



**SILENT
KNIGHT**

by Honeywell

SK-5235 Remote Annunciator Installation Instructions

The SK-5235 remote annunciator performs all system operations. It also provides trouble and alarm information and can be used for programming. The control panel can support up to six 5235 Remote Annunciators.

The following instructions are a quick reference guide, refer to the control panel installation manual for detailed system information.

Mounting the SK-5235 Remote Annunciator

For UL installations, the SK-5235 Remote Annunciators must be mounted on a dual gang electrical box and all wiring runs must be made using 18-gauge wire or larger.

Warning! Use the mounting base that shipped with this SK-5235. You may damage the SK-5235 if you attempt to mount it on an older base.

To mount the annunciator:

1. Insert a #4 flat blade screwdriver into the slots on the bottom edge of the annunciator to remove the mounting plate (see Figure 1). Gently turn the screwdriver until the mounting plate pulls away from the frame.

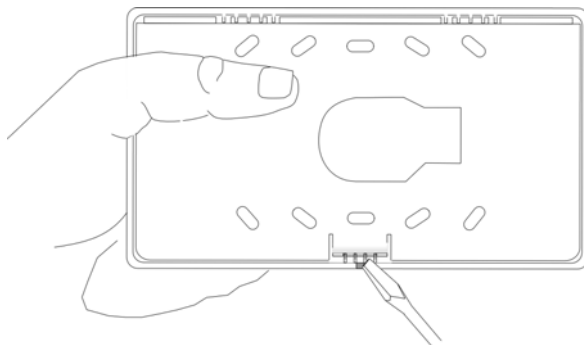


Figure 1: Rear Mounting Plate Removal

2. Secure it to the wall using #6 or #8 screws. The mounting plate should be oriented so that the word TOP is toward the top of the

plate and facing you. A square hole is provided in the mounting plate to run the wiring to the annunciator.

3. When all of the wires have been connected to the annunciator, set the top of the annunciator over the tabs on the top of the mounting plate. Make sure the wires do not get pinched between the frame and the mounting plate. Press each corner of the bottom side onto the annunciator mounting plate until you hear it click. You may have to gently squeeze the annunciator (top to bottom) to align it while snapping the bottom edge into place.

Wiring the SK-5235

To wire SK-5235 to the control panel:

1. Remove power from the control panel.
2. Wire the SK-5235s as shown in Figure 2.
3. Set the ID number. See Table 1.

Note: ID numbers 7 and 8 are not for use by SK-5235s.

4. Reapply power the control panel. When the annunciator powers up, it will display its ID code and current panel status.

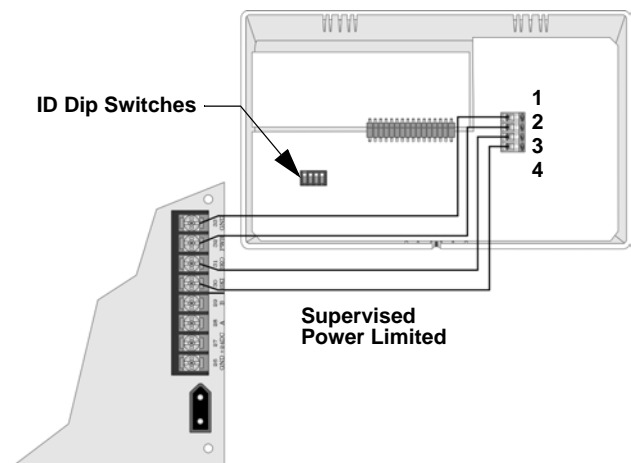


Figure 2: Model SK-5235 Connection

Note: Each SK-5235 touchpad can be individually supervised. See the control panel for programming touchpads as supervised.

Setting ID Codes

Before installing SK-5235, you must set its identification (ID) code. Each SK-5235 must be given a unique ID code. Upon initial power up, the address of each SK-5235 is displayed on the LCD.

Annunciators with address 0 will not be supervised.

On the back of each device is a small 4-position dip switch used to set the ID code. Use the chart below to determine the dip switch positions for each possible ID code.

Table 1: ID Dip Switch Settings

ID Code	Switches ¹			
	1	2	3	4
0 ²	Down	Down	Down	Down
1	Up	Down	Down	Down
2	Down	Up	Down	Down
3	Up	Up	Down	Down
4	Down	Down	Up	Down
5	Up	Down	Up	Down
6	Down	Up	Up	Down
7	Do not use. Not valid ID codes. ³			
8				

1. Switch settings: Up = On Down = Off
2. Not supervised.
3. ID numbers 7 & 8 are not valid ID settings for SK-5235.

Using the Operator's Key

An operator's key ships with SK-5235 (see Figure 3). The operator's key can be used to perform user operations at the control panel or SK-5235 without a user code but will not open the control panel door. All installer operations require an installer code. To perform user operations without a user code, insert and turn the key as shown in Figure 3.

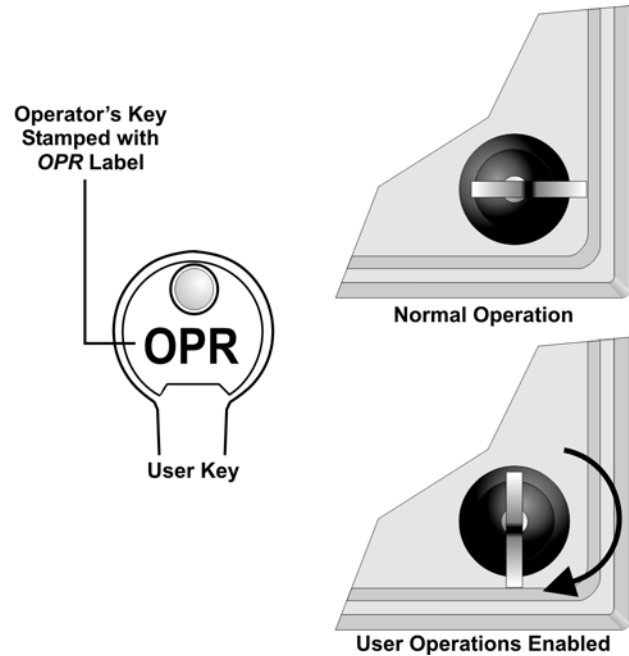


Figure 3. Operator's Key & Key Operation

Specifications

Parameter		Rating
Operating Voltage		27.4 VDC max.
Current Draw:	Standby	30 mA
	Alarm	50 mA
Operating Temperature		32° to 120° F (0° to 49° C)



**SILENT
KNIGHT**

by Honeywell

7550 Meridian Circle
Maple Grove, MN 55369-4927
763-493-6455 or 800-328-0103
Fax: 763-493-6475
www.silentknight.com