



**SILENT
KNIGHT**

by Honeywell

SK-5280 Status Display Module Installation Instructions

The following instructions are a quick reference guide, refer to the control panel installation manual for detailed system information.

The SK-5280 Status Display module provides outputs and control functions for remote annunciation of alarm, trouble, and supervisorys for each zone.

Note: *The driver outputs are non-supervised. Relays must be connected to power limited sources only.*

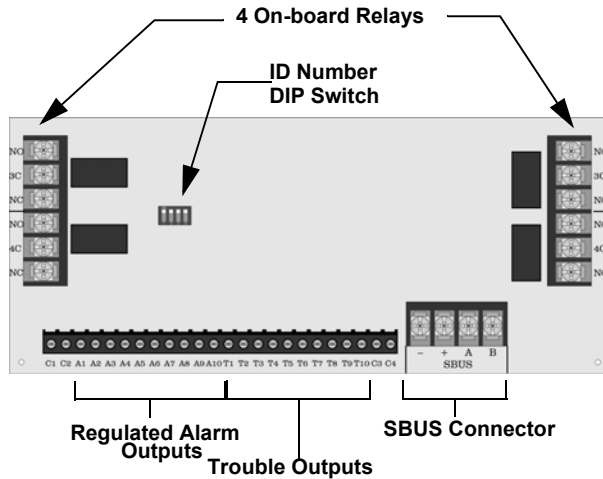


Figure 1 Model 5280 Board Layout

The SK-5280 has 1 connector which has 10 outputs for alarms and 10 outputs for trouble annunciation. These outputs are active low. Each output can provide up to 100 mA of current, with a total limitation of 700 mA. The module has 4 normally open non-dedicated relays that can be wired to be active with any of the outputs. The system can supervise up to 8 5280 Status Display Modules.

Wire the SK-5280 as shown in Figure 2. Maintain a physical separation of one-half inch or more between field wires and connection points to prevent damage from transients.

Note: *SILENCE does not affect SK-5280 outputs. To reset a SK-5280 output, the alarm or trouble condition must be restored.*

The SK-5280 can be used to interface to LED annunciator.

The SK-5280 can be programmed to indicate alarms and trouble status for; zones 1 - 10, zones 11 - 20, zones 21 - 30, or system status outputs.

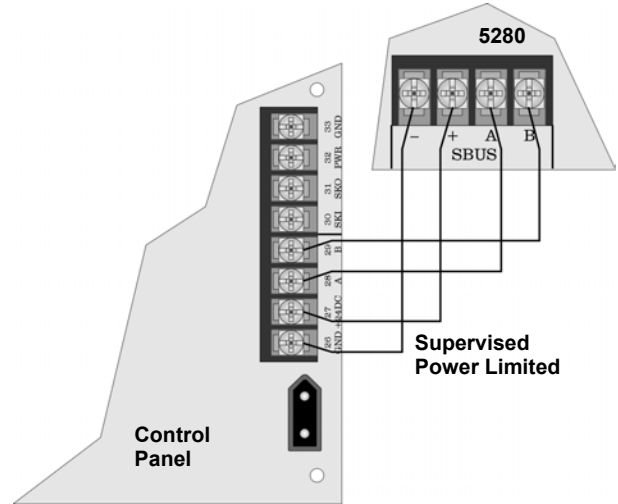


Figure 2: SK-5280 Connection to the Control Panel

Mounting the 5280

The SK-5280 into a metal bracket and standoffs in the SK-5208 cabinet or into SK-2190 accessory cabinet.

Mounting the SK-5280 into SK-5208 Cabinet

Follow these steps to properly mount the SK-5280 into the SK-5208 cabinet:

1. Remove power from the control panel.
2. Mount the SK-5280 onto the standoffs and bracket located in the cabinet. See Figure 3.

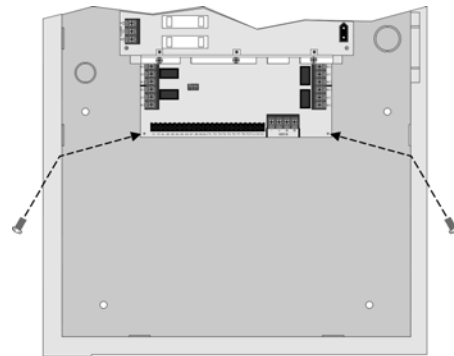


Figure 3: Installing the 5280 into the 5208 Cabinet

3. Connect the SK-5280 to the SK-5208 control panel as shown in Figure 2.
4. Set the ID number. See the *5208 Installation Manual* (PN 151204) for information on setting ID numbers.
5. Reconnect power to the control panel.

Mounting the SK-5280 into the SK-2190 Accessory Cabinet

Follow these steps to properly mount the SK-5280 into the SK-2190 cabinet:

1. Mount the remote cabinet using the cabinet mounting holes. See Figure 4.
2. Remove power from the control panel.
3. Mount the SK-5280 onto the standoffs and bracket located in the cabinet. See Figure 4.

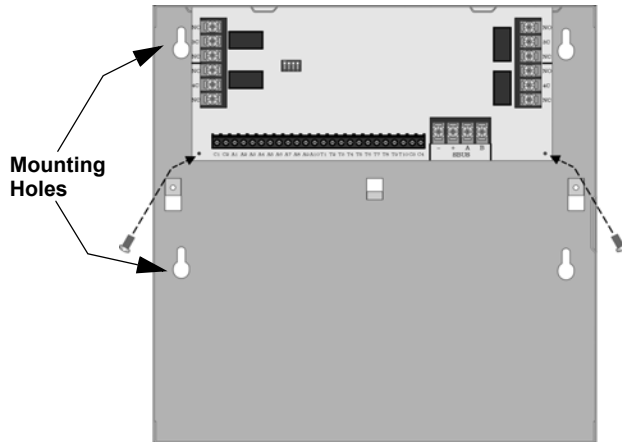


Figure 4: Model SK-5280 Remote Installation

4. Connect the SK-5280 to the SK-5208 control panel as shown in Figure 2.
5. Set the ID number. See the *5208 Installation Manual* (PN 151204) for information on setting ID numbers.
6. Reconnect power to the control panel.

Wiring Relays

The four on-board relays can be triggered by the active low outputs. For example, the alarm outputs can all be wired to relay 3 and the trouble relays can be wired to relay 4 (see Figure 5).

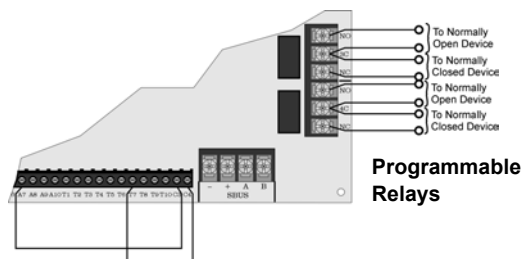


Figure 5: Relay Wiring on the SK-5280

Note: Figure 5 uses A7 and T7 to activate relays 3 and 4 as an example. However, any of the outputs can be used to trip any of the relays.

Wiring LEDs to Outputs

The outputs (A1-A10 and T1-T10) can be used to operate LEDs used in a remote annunciator (see Figure 6). Outputs A1-A10 are alarm outputs for the zones corresponding to those outputs. For example, if the 5280 is programmed to output for zones 11-20, then outputs A1-A10 will correspond with zones 11 through 20.

Outputs T1-T10 are trouble outputs for the zones corresponding to those outputs. For example, if the 5280 is programmed to output for zones 21-30, then outputs T1-T10 will correspond with zones 21-30.

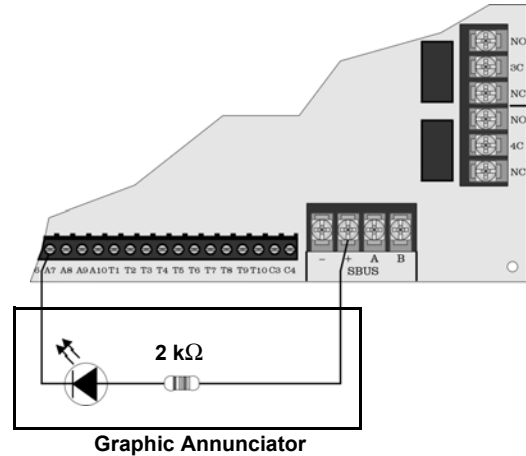


Figure 6: LED Wiring on the SK-5280

Specifications

Parameter	Rating
Operating Voltage:	27.4 VDC max.
Current Draw:	Standby: 10 mA
	Alarm: 80 mA
Operating Temp:	32° to 120° F (0° to 49° C)
Relay Rating:	2.5 A @ 30VDC/120VAC*
Outputs:	100 mA each, 700 mA max.

*Connect to power limited source only.



SILENT KNIGHT

by Honeywell

7550 Meridian Circle
Maple Grove, MN 55369-4927
763-493-6455 or 800-328-0103
Fax: 763-493-6475
www.silentknight.com