

# Honeywell



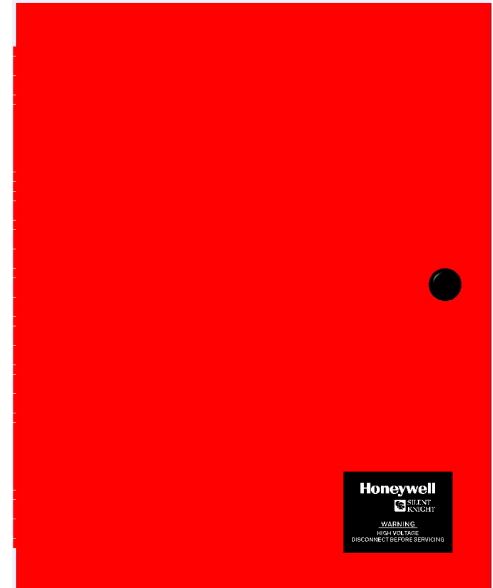
## 5499

### Distributed Power Module

The 5499 is a 9 amp notification power expander that provides its own AC power connection, battery charging circuit, and backup battery for use with fire and security controls that have 9-32 VDC outputs, such as the Honeywell Silent Knight Model 5208 Fire Control/Communicator. The 5499 is the cost-effective solution for powering notification appliances required by the Americans with Disabilities Act (ADA). The 5499 has built-in ANSI cadence pattern, which can upgrade older control panels that lack cadence capability.

#### CONNECTION TO LOCAL FIRE CONTROL

The 5499 may be connected to a local fire control which utilizes Class A or Class B type notification circuits operating between 9 and 32 VDC. The control panel's notification circuit is connected to one of the inputs on the 5499. The control panel's notification circuit end-of-line resistor is also connected across two terminals on the 5499, which provides supervision between the 5499 and the fire control panel. Polarized audible and/or visual notification devices are then connected to the 5499 signal circuits using the 4.7k $\Omega$  end-of-line resistors provided. Since the 5499 draws very little power from the control, it is possible to connect one 5499 to each notification circuit on the control panel and still provide full supervision of the notification circuits all the way back to the control panel.

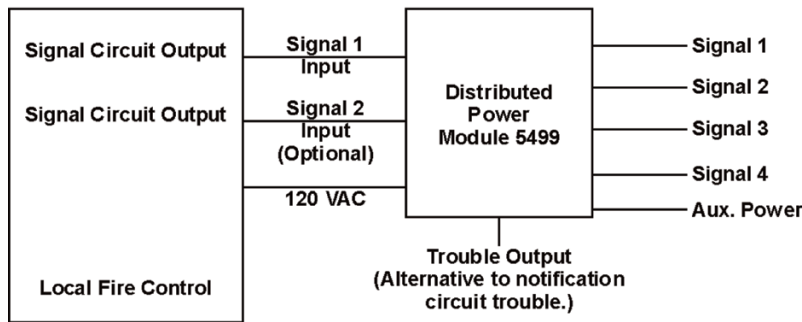


5499

## FEATURES & BENEFITS

- UL Listed for 9 amps of notification power
- Built-in synchronization for appliances from System Sensor<sup>®</sup>, AMSECO, Gentex<sup>®</sup>, and Wheelock<sup>®</sup>
- Power supply's advanced switch mode design reduces damaging heat and manages power up to 50% more efficiently than other systems
- DIP switches allow for easy reconfiguration
- 24 VDC filtered output voltage
- Four power-limited notification outputs; 2 Class A or 4 Class B, or 1 Class A and 2 Class B
- Additional continuous auxiliary output
- 3 amps per output circuit
- 2 inputs; 2 Class B or 2 Class A
- Ground fault detector/indicator
- Independent trouble relay
- AC loss delay option shuts off power to non-essential high-current accessories like magnetic door holders
- Stand alone operation
- Lightweight design adds to ease of installation and reduces shipping costs
- Operates with most polarized, UL Listed notification devices
- ANSI Cadence pattern output capability built-in

## Model 5499 Block Diagram



### SUPERVISION

The 5499 supervises a variety of functions including:

- Low AC power.
- Low battery condition.
- Earth ground fault.
- Auxiliary output power limit condition.
- EOL supervision trouble or power limited condition at an output.

When a trouble condition occurs, Firepower 5499 creates a trouble condition on the host control signal circuits to which it is connected. Firepower 5499 still maintains the ability to be activated by the host control. In addition, the 5499 provides a Form C trouble relay output as an alternative to using the notification circuit trouble.

### PHYSICAL

**Dimensions:** 12.25" W x 16" H x 3" D 30.88 cm W x 40.64 cm H x 7.62 D cm

### ENVIRONMENTAL

**Operating Temperature:** 32°F to 120°F (0°C to 49°C)

**Humidity:** 10% - 93% non-condensing)

### ELECTRICAL

**AC Input:** 120 AC at 3.0A

**Output:** 24VDC at 9A

#### Current

**Standby:** 75mA

**Alarm:** 205mA

**Auxiliary Power Circuit:** 1

**Notification Circuits:** 4

**Output Configuration:**

2 Class A

4 Class B

(1 Class A & 2 Class B)

**Amps Per Output:** 3.0 (9.0 amps total)

**Notification circuit output:** Alarm Current (for typical voltages) drawn from main panel's notification appliance circuits.

**12 VDC:** 6.5mA

**24 VDC:** One input circuit - 15 mA; Both input circuits - 30 mA

**No. of Inputs:** 2

**Input Configuration:** 2 Class B or 2 Class A

**Input Voltage Range:** 9 - 32VDC

**Battery charging Capacity:** 35.0 AH

### INDICATOR LIGHTS

**AC power on :** Green

**Battery trouble:** Yellow

**Ground fault:** Yellow

**Aux trouble:** Yellow

**Output troubles (1-4):** Yellow

### ORDERING INFORMATION

5499: Distributed Power Module

### ACCESSORIES

SK-SCK: Seismic Compliance Kit

### AGENCY LISTINGS

- UL listed
- CSFM 7300-0559:123
- Meets NFPA 72 requirements
- MEA 429-92-E Vol XII
- OSHPD (CA) OSP-0065-10

### For more information

Learn more about Honeywell Silent Knight and other products by visiting [www.silentknight.com](http://www.silentknight.com)

### Honeywell Silent Knight

12 Clintonville Road  
Northford, CT 06472  
800-328-0103

Doc 350396| Rev H | 05/18  
© 2018 Honeywell International Inc.

For a complete listing of all compliance approvals and certifications, please visit [www.silentknight.com](http://www.silentknight.com).

Microsoft, Windows, and the Windows Logo are registered trademarks or trademarks of Microsoft Corporation.

System Sensor® and Honeywell® are registered trademarks of Honeywell International, Inc

This document is not intended to be used for installation purposes. We try to keep our product information up-to date and accurate. We cannot cover all specific applications or anticipate all requirements. All specifications are subject to change without notice.

For Technical Support, call 800-446-6444.